

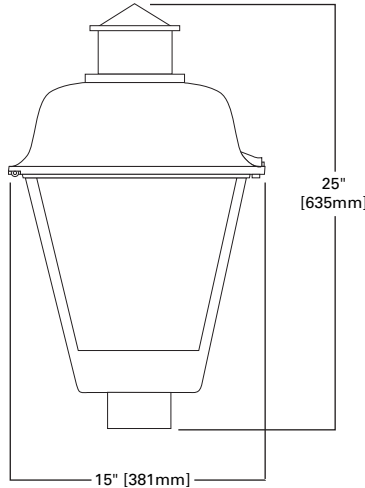
LXT TRADITIONAL TOP LEXINGTON

70-175W
MH/HPS/MERCURY

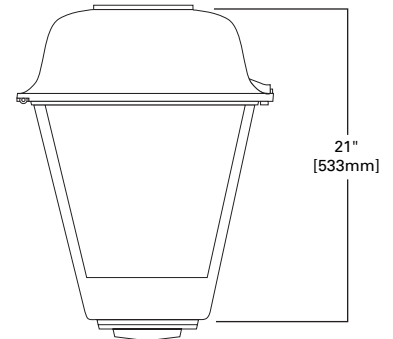
DECORATIVE LUMINAIRE



STREETWORKS™



OPTIONAL PENDANT MOUNT



HOUSING

Die-cast aluminum base housing. Standard color is black. Other finish colors available. Consult your Streetworks Representative. 1" ANSI wattage/source label.

TOP

Hinged die-cast aluminum top with cupola cover.

REFRACTOR

Injection molded acrylic refractor panels.

SOCKET POSITION

Vertical socket position is mogul-base porcelain socket (Type V). 50-150W MH is medium-base socket standard. Horizontal socket position is mogul-base porcelain socket (Type III, field adjustable). 50-150W MH is medium-base socket standard.

SCREWS

Captive retaining screw.

STARTER

Plug-in starter.

TERMINAL BLOCK

Terminal block standard.

MOUNTING

Self-aligning pole-top fitter fits 2 3/8" and 3" O.D. tenons. Square headed 1 1/4" polymer coated mounting bolts.

ORDERING INFORMATION

SAMPLE NUMBER: LXT70SR2554

PRODUCT FAMILY
LXT=Traditional Top
Lexington

LAMP WATTAGE¹
70=70W
10=100W
15=150W
17=175W

LAMP TYPE¹
S=High Pressure Sodium
V=Mercury
M=Metal Halide²

BALLAST TYPE¹
H=Reac./HPF
N=Hi. Reac./NPF
P=Hi. Reac./HPF
R=Reac./NPF
W=CWA

VOLTAGE¹
2=120V
0=208V
4=240V
7=277V
8=480V
9=347V
P=240 w/PCR wired 120V
W=Multi-Tap Wired 120V
N=Multi-Tap Wired 277V
V=Multi-Tap Wired 240V

DISTRIBUTION
22=Type II
33=Type III³
44=Type IV
55=Type V

OPTIONS
(See Below)

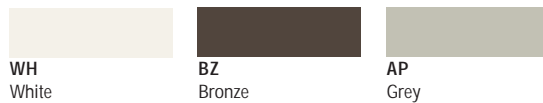
OPTIONS [Must be ordered in alphanumeric order]

OPTIONS (add as suffix)

1=Single Fused, Internally Mounted (120 or 277V)
2=Double Fused, Internally Mounted (208, 240 or 480V)
4=Photocontrol Receptacle
WH=White
BZ=Bronze
AP=Grey

S=Snap Latches for Toolless Lamp Replacement
B=House Side Shield
P=Polycarbonate Lens Panels
T=3/4" Pendant Mount Provision
U=UL/CSA Listed
N=NEMA Ballast Bracket⁴

OPTIONAL COLORS [Standard color is black, other finish colors available. Consult your Cooper Lighting representative]



EPA:

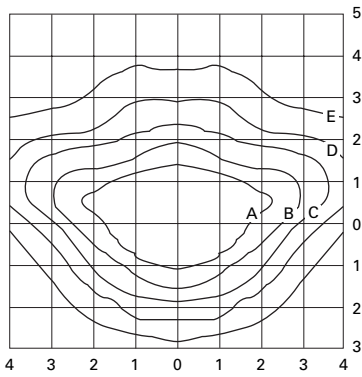
Effective Projective Area: 1.7

SHIPPING DATA

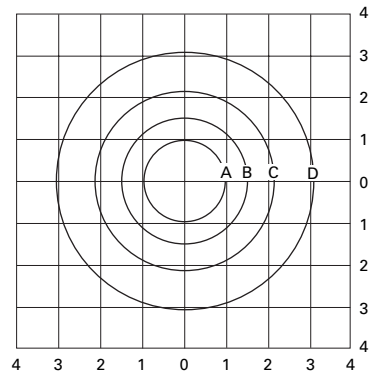
Approximate Net Weight:
25 lbs. (11 kgs.)

NOTE: 1 Refer to technical section for lamp/ballast/voltage compatibility. 2 50-150W Metal Halide is medium-base socket standard. 3 Requires use of coated lamp to achieve Type III distribution. 4 Available in Reactor HPF and NPF. For Hi Reactance or CWA availability consult your Streetworks representative.

PHOTOMETRICS [Complete IES files available at www.cooperlighting.com]



LXT15S33.IES
 150-Watt HPS
 16,000-Lumen Lamp
 Type III



LXT15S55.IES
 150-Watt HPS
 16,000-Lumen Lamp
 Type V

FOOTCANDLE TABLE

Select mounting height and read across for footcandle values of each isofootcandle line. Distance in units of mounting height.

Mounting Height	Footcandle Values for Isofootcandle Lines				
	A	B	C	D	E
LXT15S33.IES					
10'	2.88	1.44	0.72	0.36	0.28
12'	2.00	1.00	0.50	0.25	0.10
14'	1.50	0.75	0.37	0.18	0.07
LXT15S55.IES					
10'	1.44	0.72	0.36	0.28	
12'	1.00	.50	0.25	0.10	
14'	0.75	0.37	0.18	0.07	